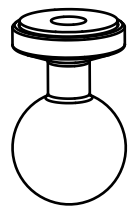
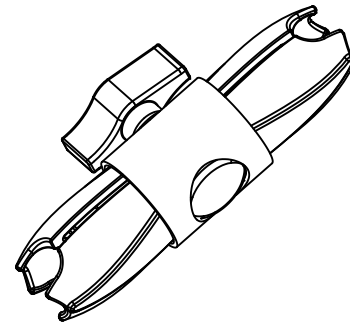


# Check list

# KM-708



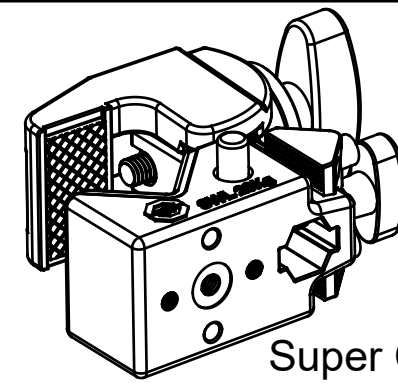
KS-403 Ball Head with 1/4"-20 Female Thread



6" Super Knuckle

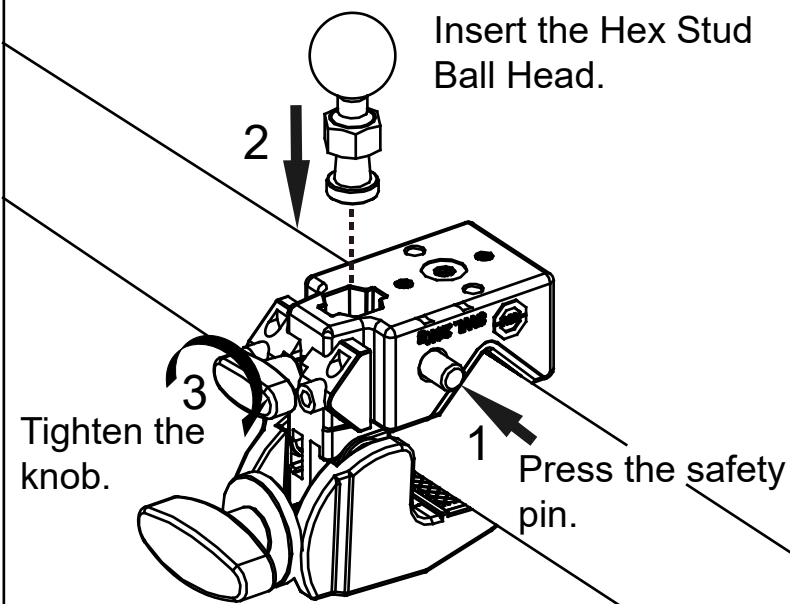


Hex Stud Ball Head



Super Convi Clamp

## STEP1

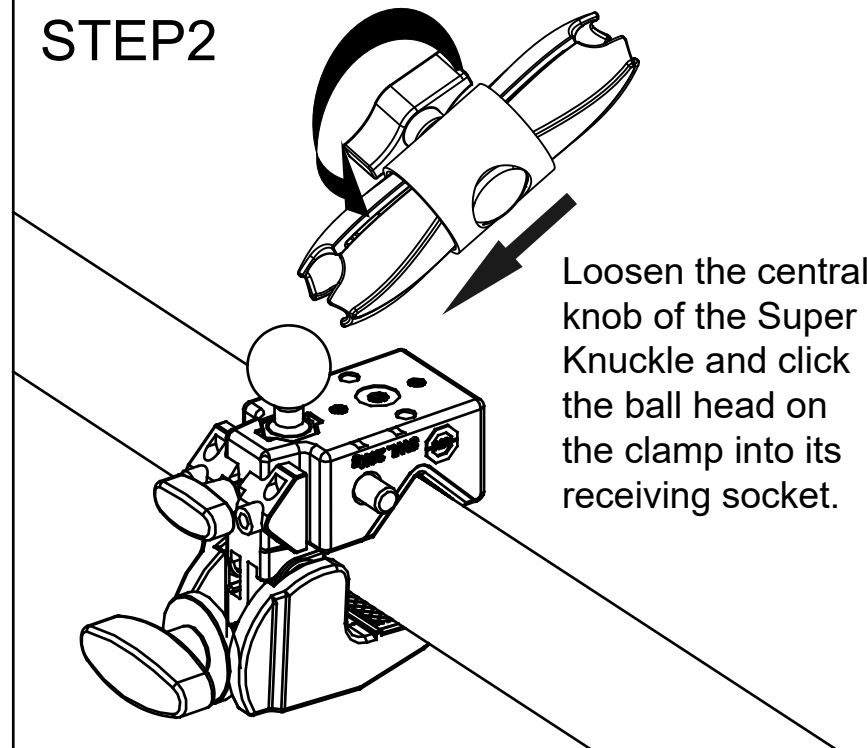


Insert the Hex Stud Ball Head.

Tighten the knob.

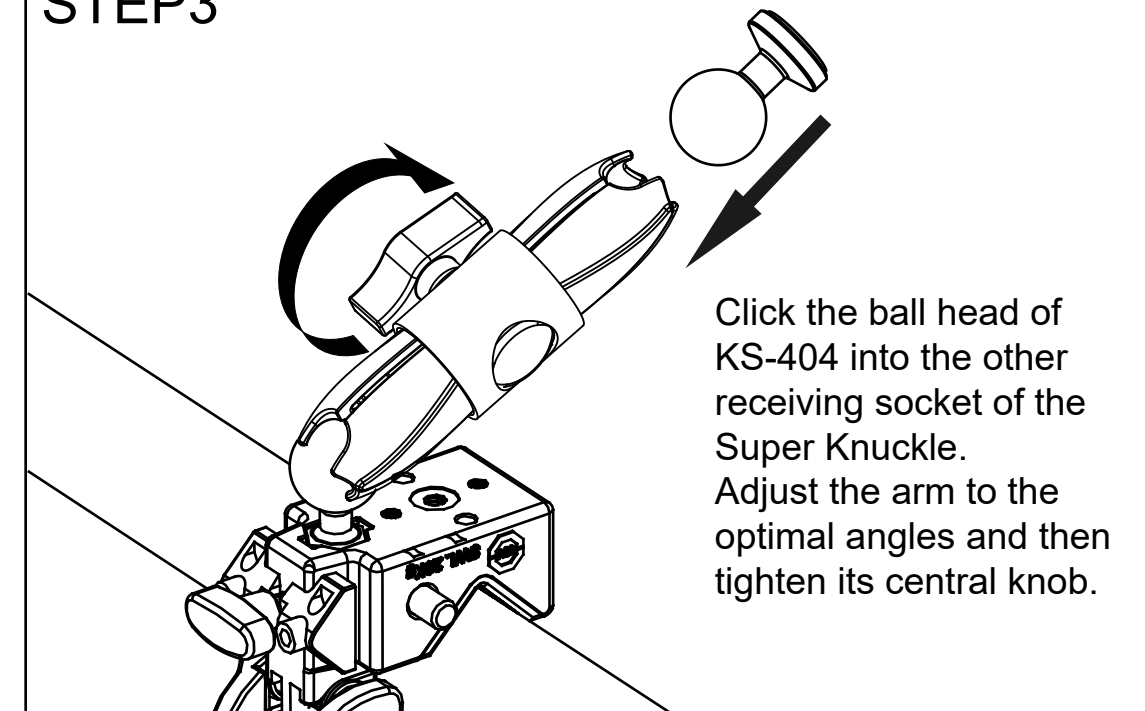
Press the safety pin.

## STEP2

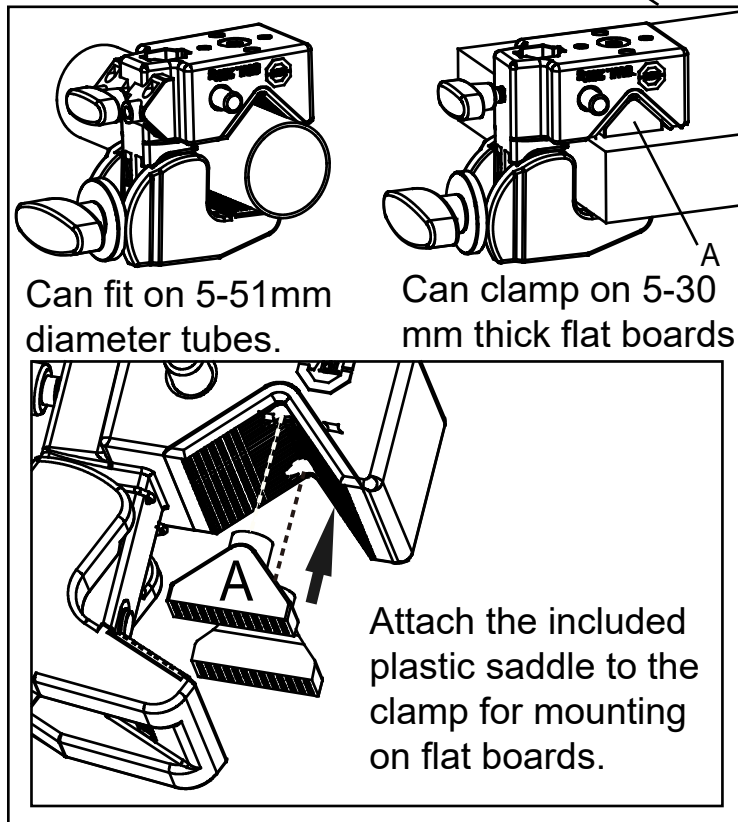


Loosen the central knob of the Super Knuckle and click the ball head on the clamp into its receiving socket.

## STEP3



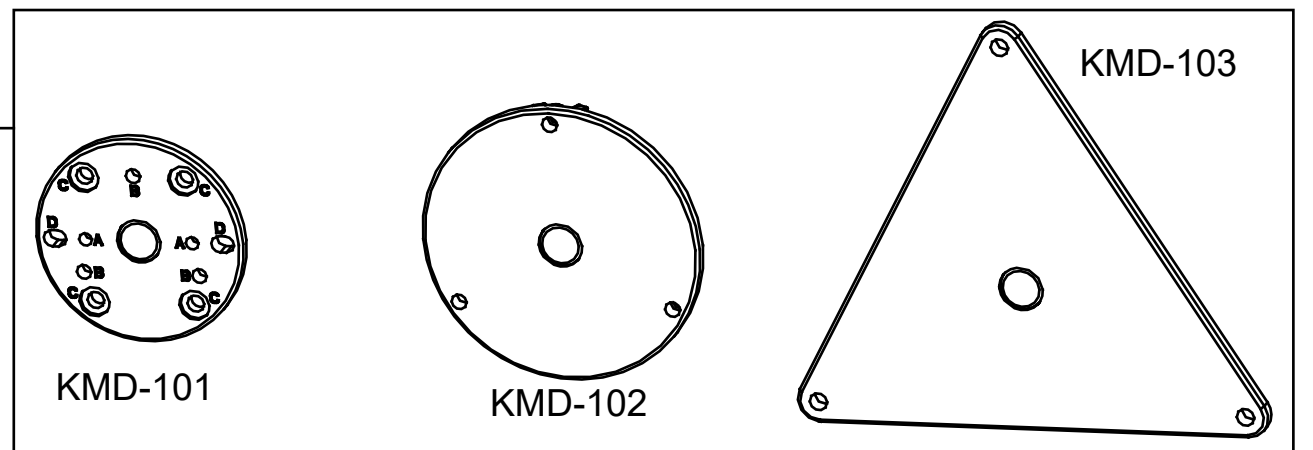
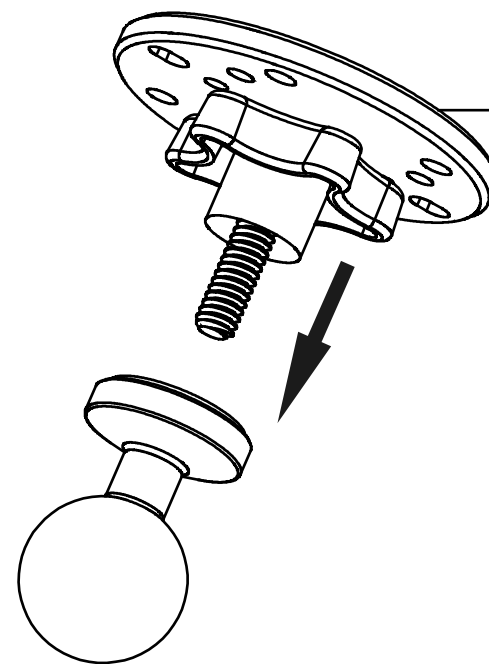
Click the ball head of KS-404 into the other receiving socket of the Super Knuckle. Adjust the arm to the optimal angles and then tighten its central knob.



Can fit on 5-51mm diameter tubes.

Can clamp on 5-30 mm thick flat boards.

Attach the included plastic saddle to the clamp for mounting on flat boards.



KMD-101

KMD-102

KMD-103

The 1/4"-20 female thread on KS-403 is compatible with KUPOCARE switch mounting plates, AbleNet Quick Ready Mounting Plate, and any devices or adaptors with a 1/4"-20 male thread.