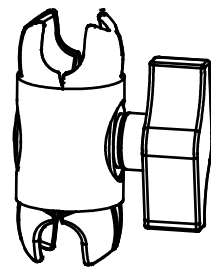


Check list

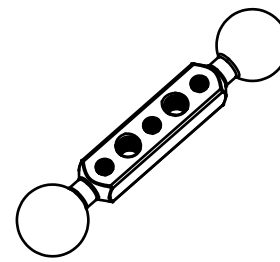
KM-711



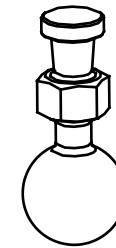
KS-404 Ball Head with 1/4"-20 Male Thread



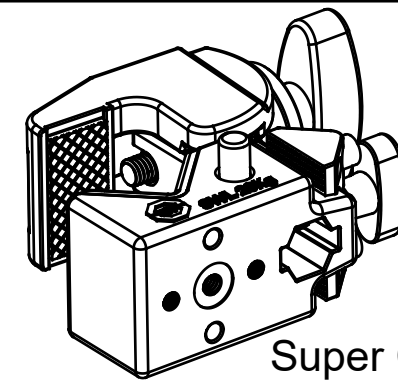
3" Super Knuckle x 2



3" Extension Arm

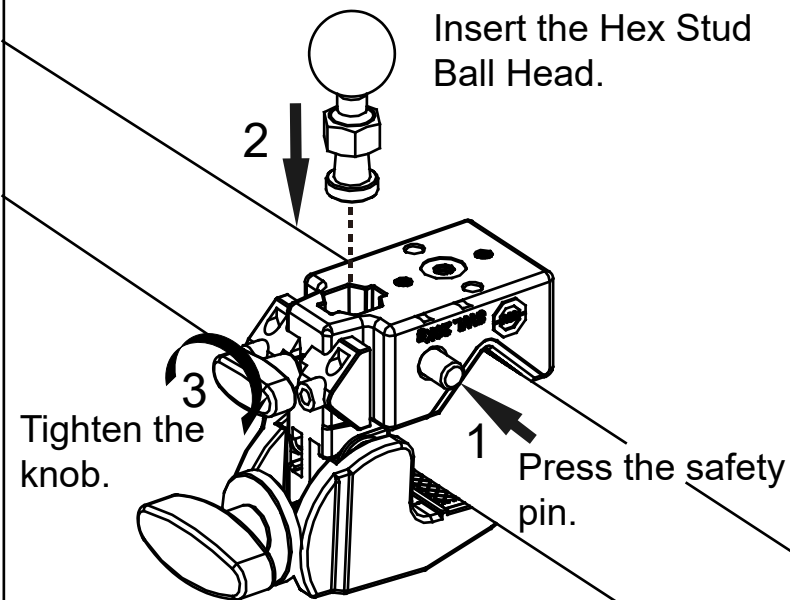


Hex Stud Ball Head

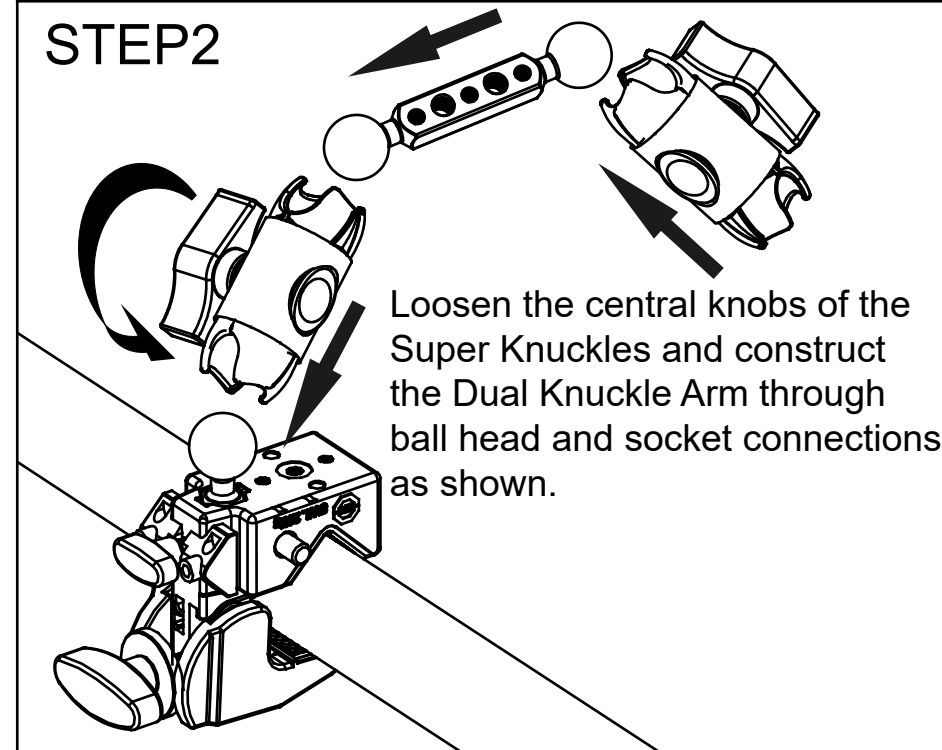


Super Convi Clamp

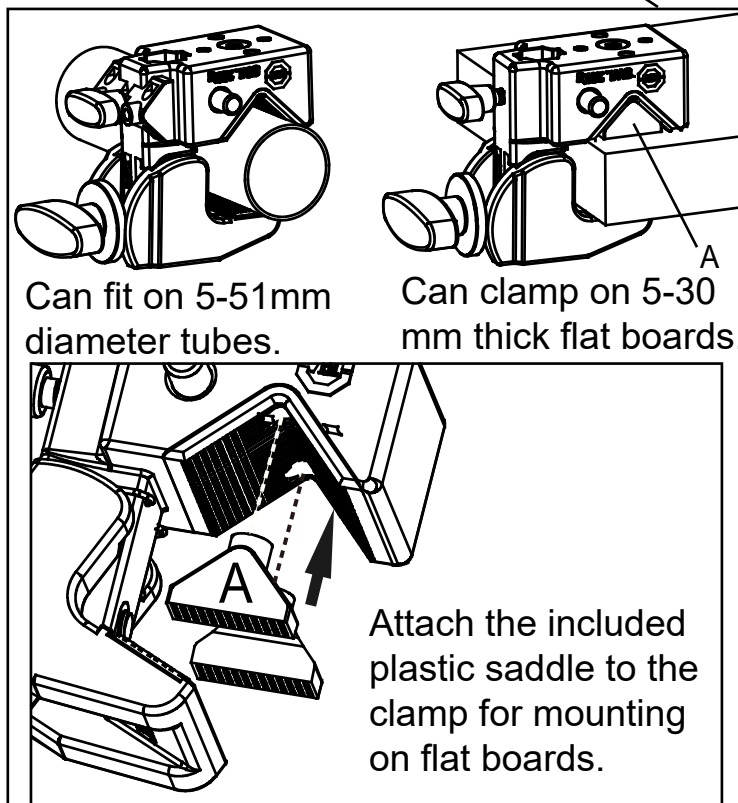
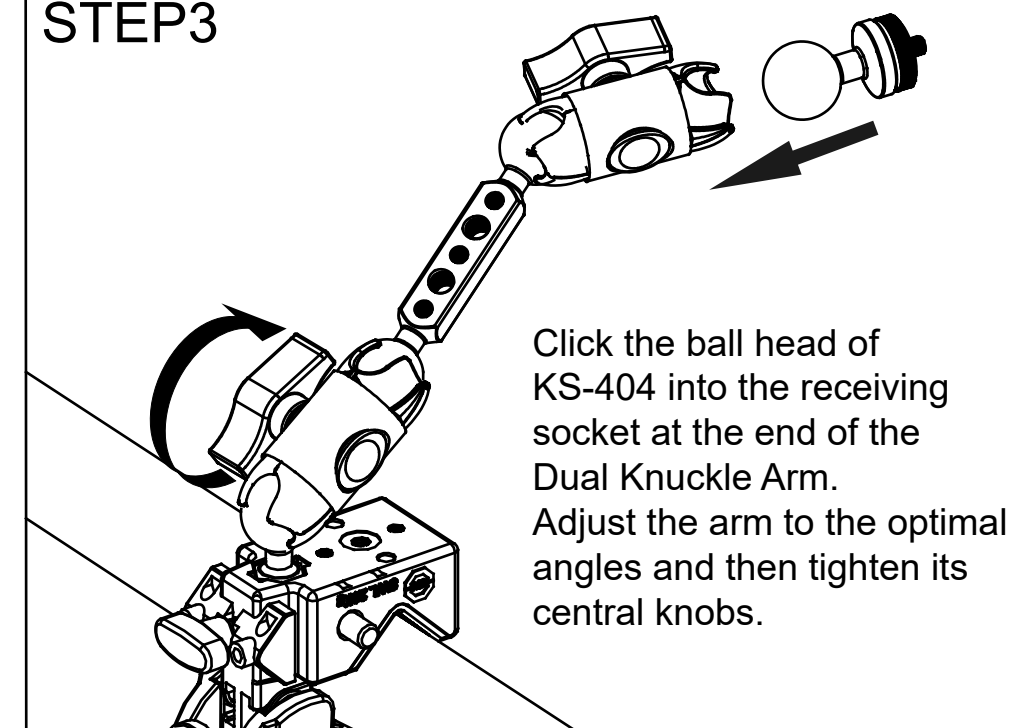
STEP1



STEP2



STEP3



1/4"-20 Thread



The 1/4"-20 male thread on KS-404 is compatible with cameras, camcorders, Microsoft adaptive controllers, and any devices with a 1/4"-20 female thread.

