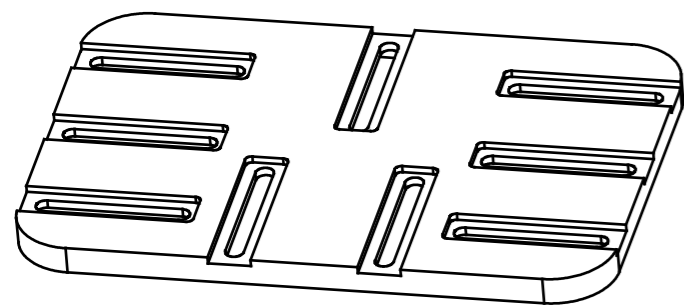
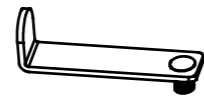


Check list

KM-701



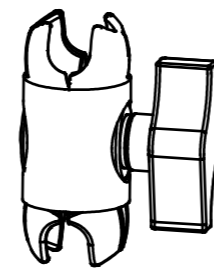
Tray



L Clip x 2



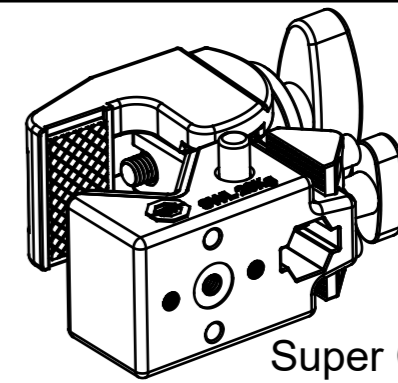
Protection Pad x 5



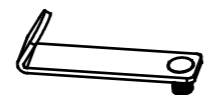
3" Super Knuckle



Hex Stud Ball Head



Super Convi Clamp

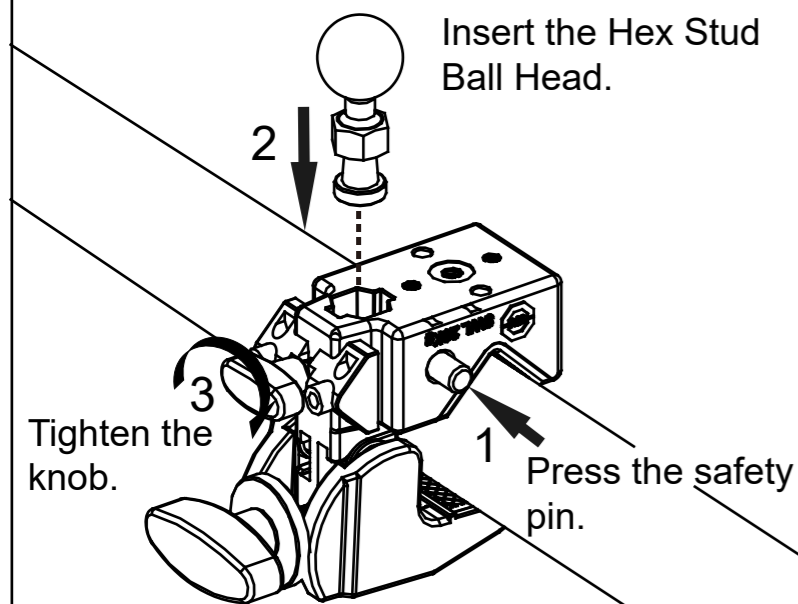


Arrow Clip x 3

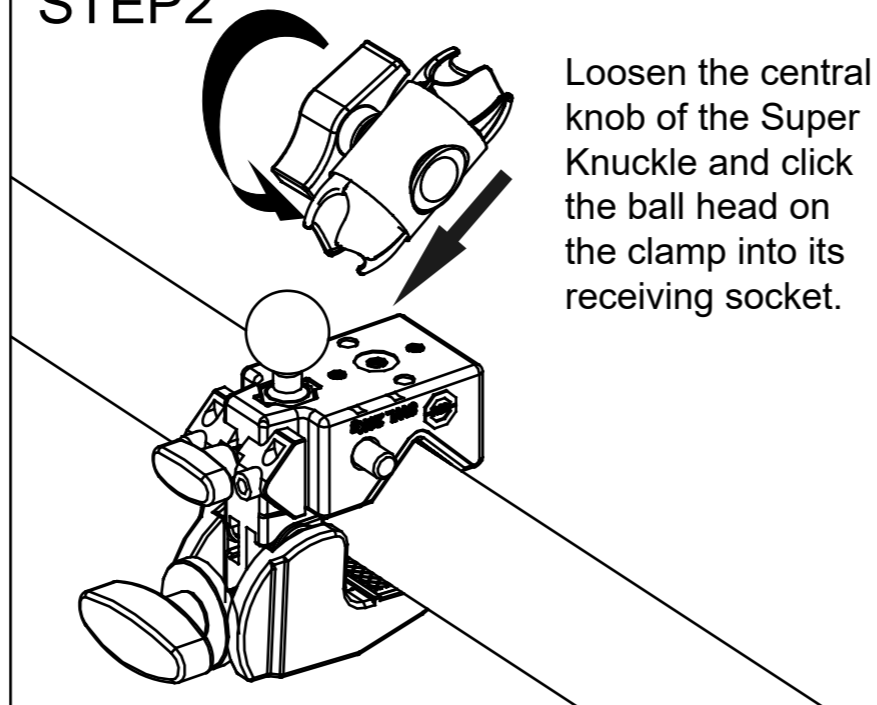


Knob x 5

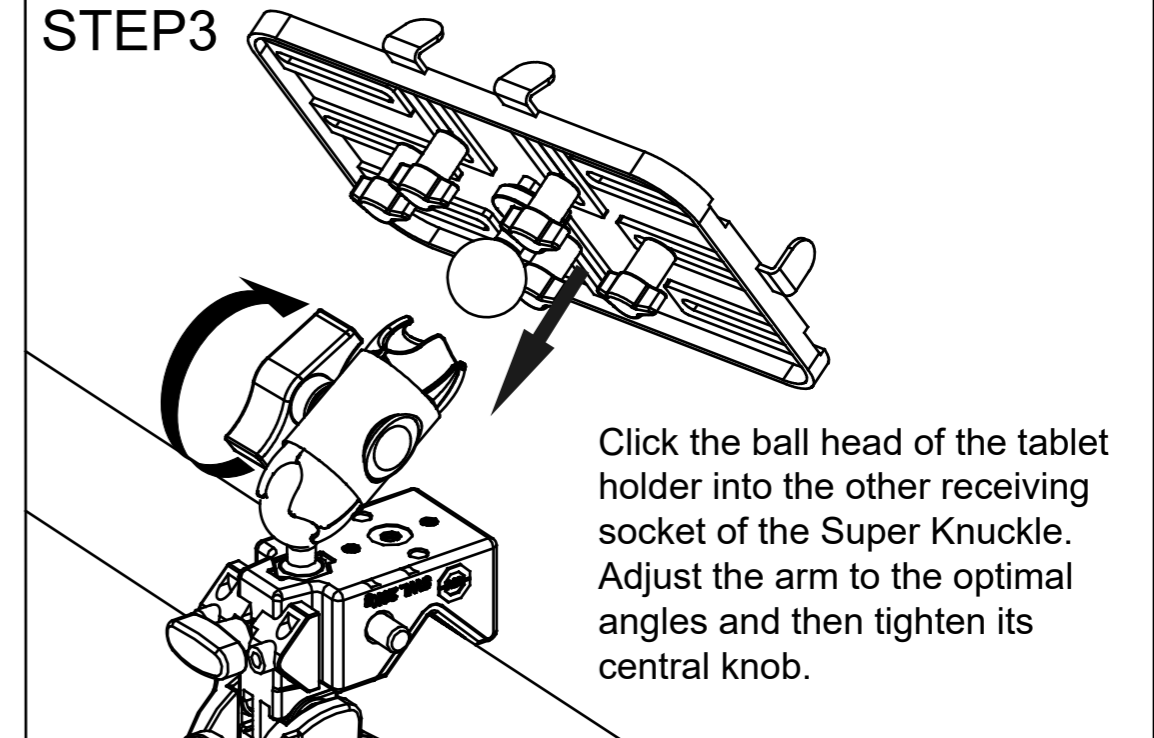
STEP1



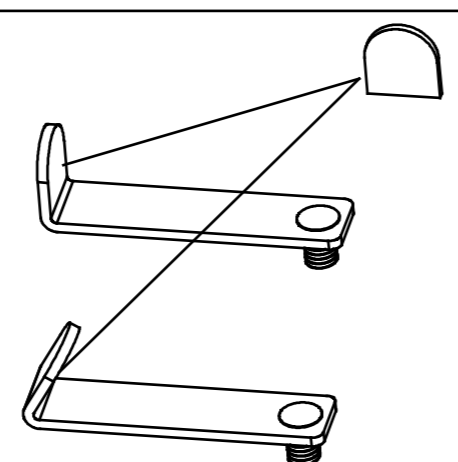
STEP2



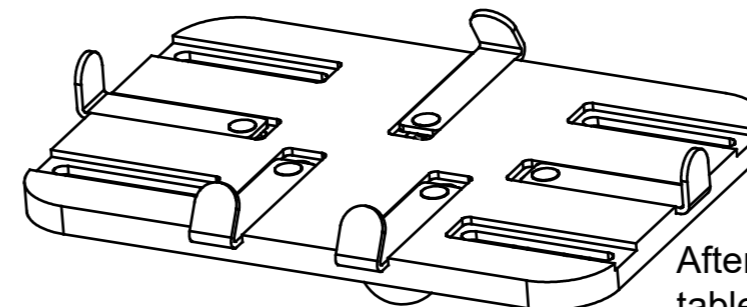
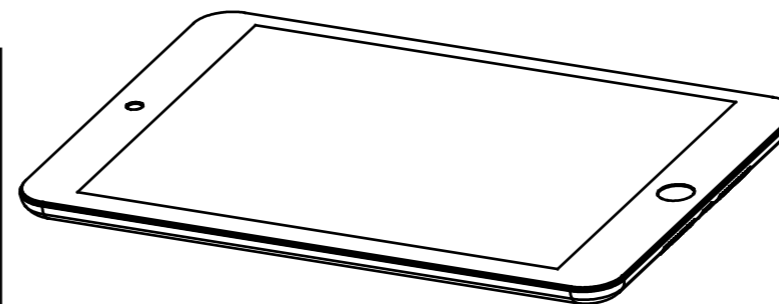
STEP3



STEP4



Attach the protection pads to the L clips and the arrow clips before screwing them onto the tray with the provided knobs.



After loosening the knobs of the tablet holder, place the tablet into the holder, and adjust the position of the clips to ensure tight fit before tightening the knobs again.

