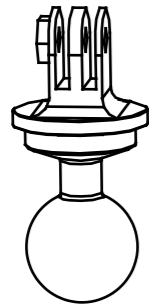
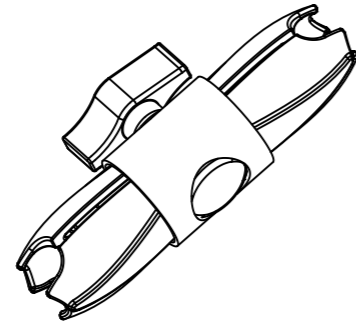


Check list

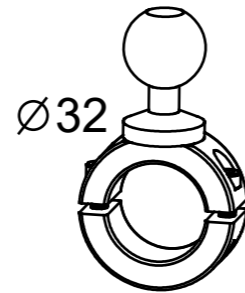
KM-216



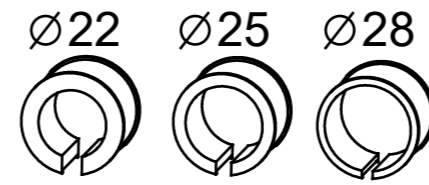
GoPro Adaptor



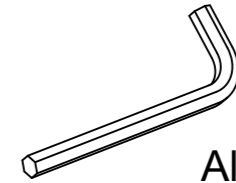
6" Super Knuckle



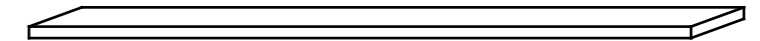
Tube Clamp



Plastic Spacers



Allen Wrench

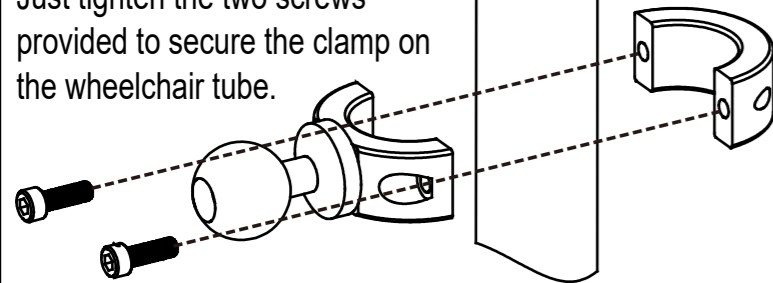


Rubber Pad

STEP1

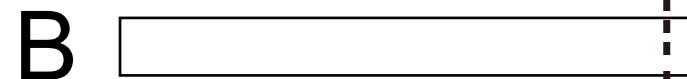
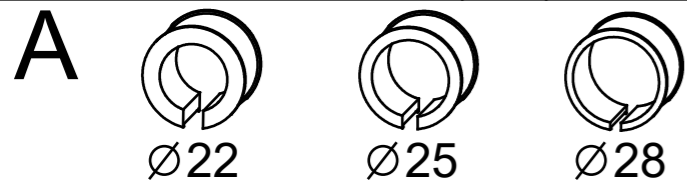
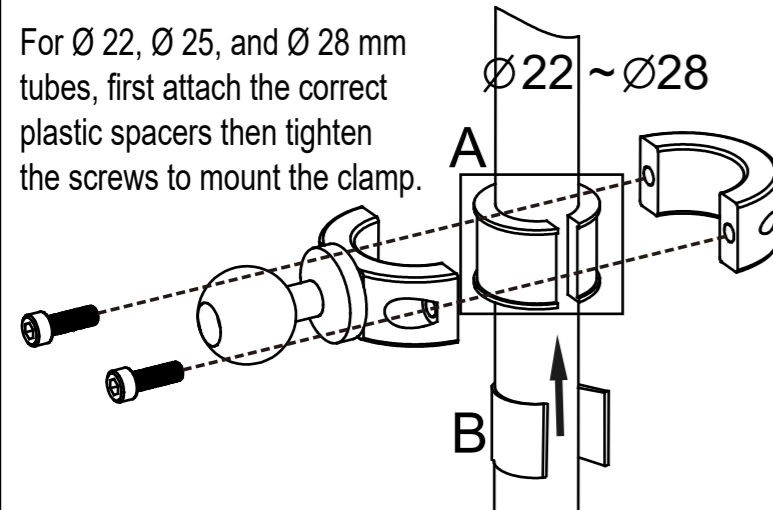
No extra plastic spacer is required for mounting onto $\text{Ø} 32$ mm tubes. Just tighten the two screws provided to secure the clamp on the wheelchair tube.

$\text{Ø} 32$



For $\text{Ø} 22$, $\text{Ø} 25$, and $\text{Ø} 28$ mm tubes, first attach the correct plastic spacers then tighten the screws to mount the clamp.

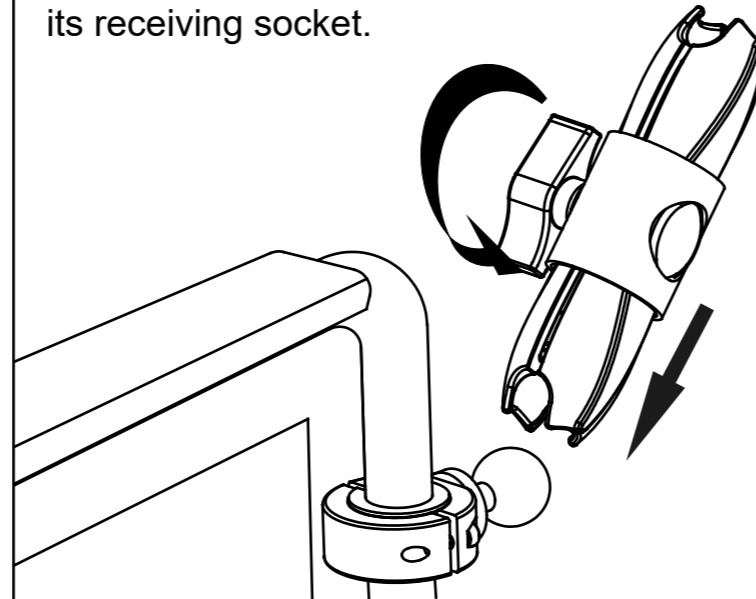
$\text{Ø} 22 \sim \text{Ø} 28$



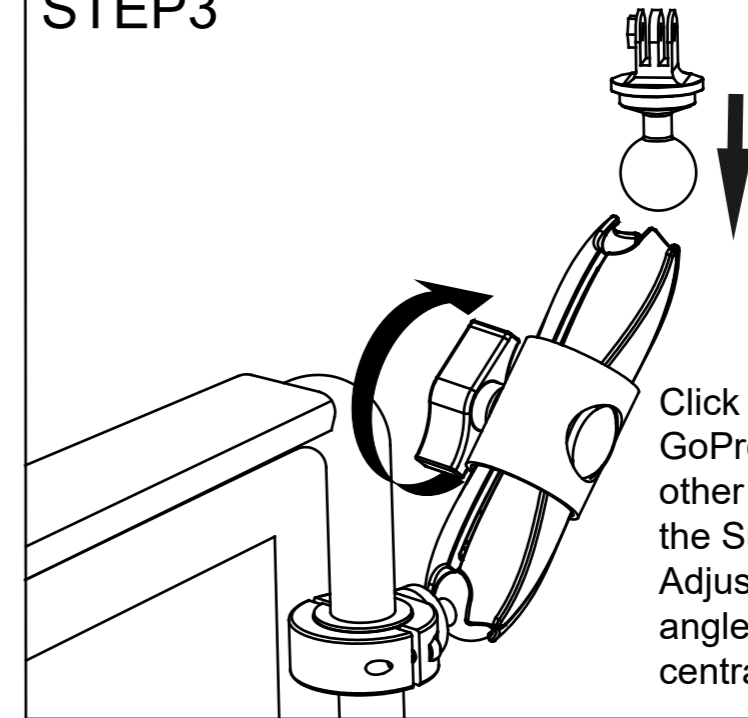
For mounting onto $\text{Ø} 19$ mm tubes, cut the provided rubber pad to correct size and wrap around the tube. Next, place the plastic spacer for $\text{Ø} 22$ mm tube on top of the rubber pad, then secure the tube clamp.

STEP2

Loosen the central knob of the Super Knuckle and click the ball head on the tube clamp into its receiving socket.

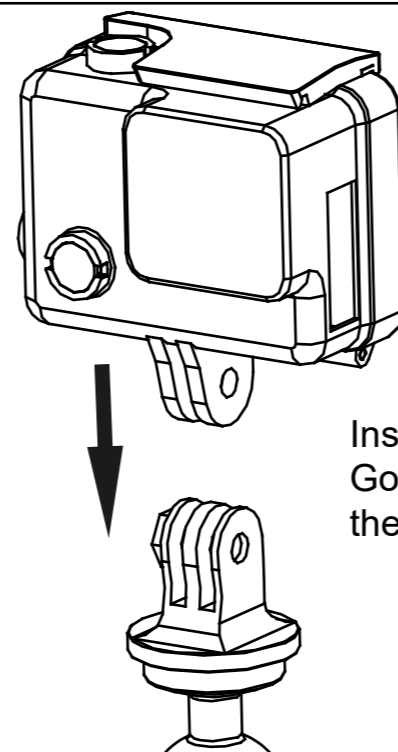


STEP3

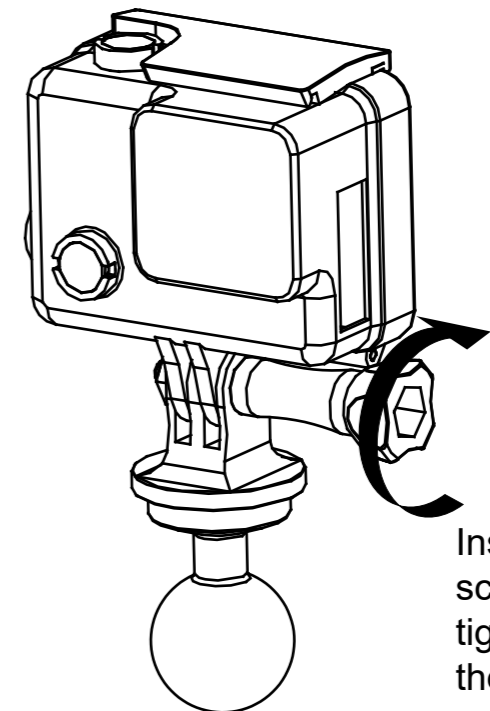


Click the ball head of the GoPro Adaptor into the other receiving socket of the Super Knuckle. Adjust the arm to the optimal angles and then tighten its central knob.

STEP4



Insert the connecting part of GoPro protective housing into the GoPro Adaptor.



Insert the GoPro Thumb screw (not included) and tighten the knob to secure the mount.