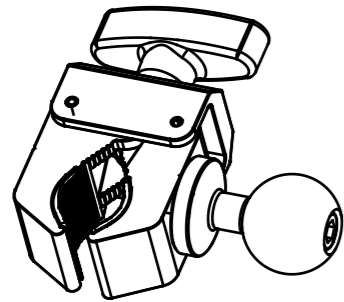
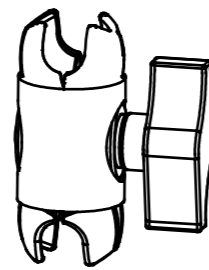


Check list

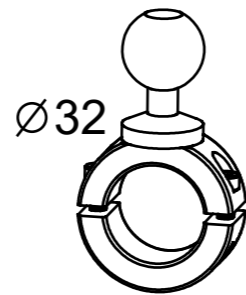
KM-213



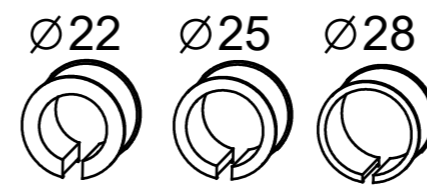
Super Claw



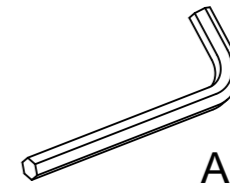
3" Super Knuckle



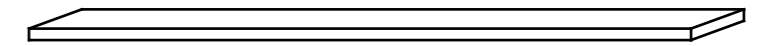
Tube Clamp



Plastic Spacers



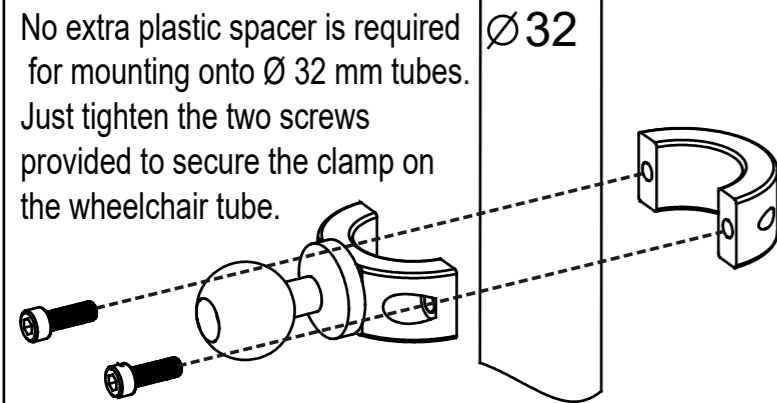
Allen Wrench



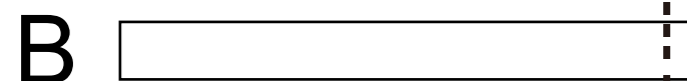
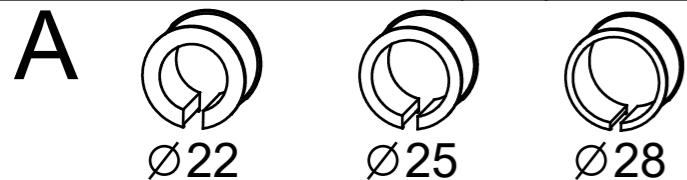
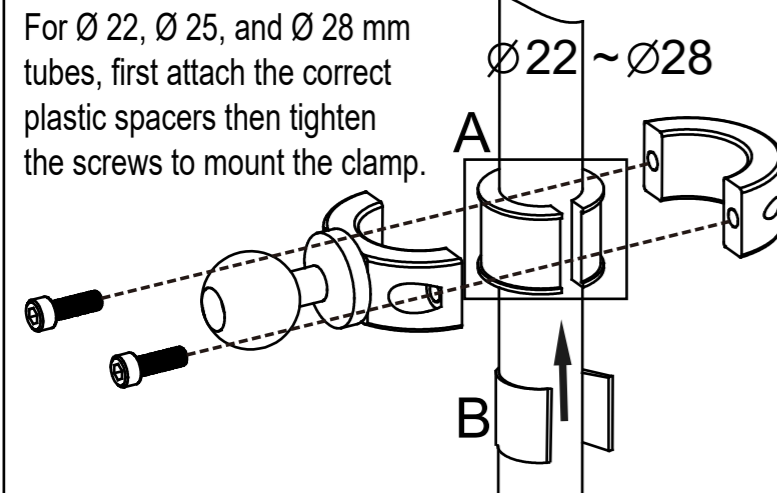
Rubber Pad

STEP1

No extra plastic spacer is required for mounting onto $\varnothing 32$ mm tubes. Just tighten the two screws provided to secure the clamp on the wheelchair tube.



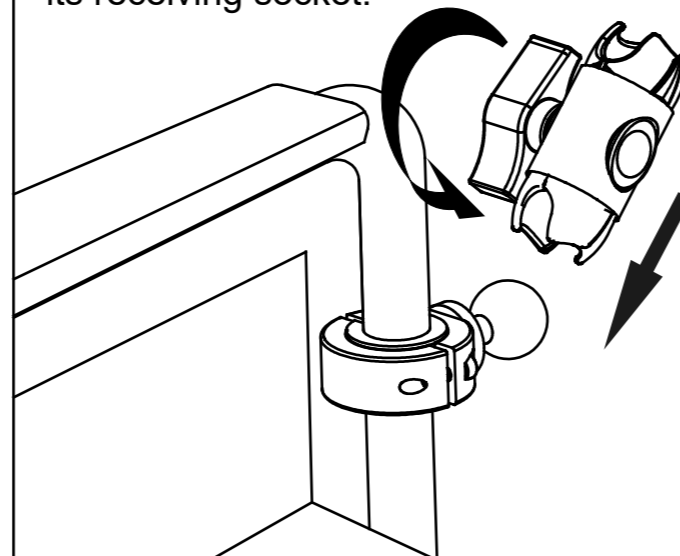
For $\varnothing 22$, $\varnothing 25$, and $\varnothing 28$ mm tubes, first attach the correct plastic spacers then tighten the screws to mount the clamp.



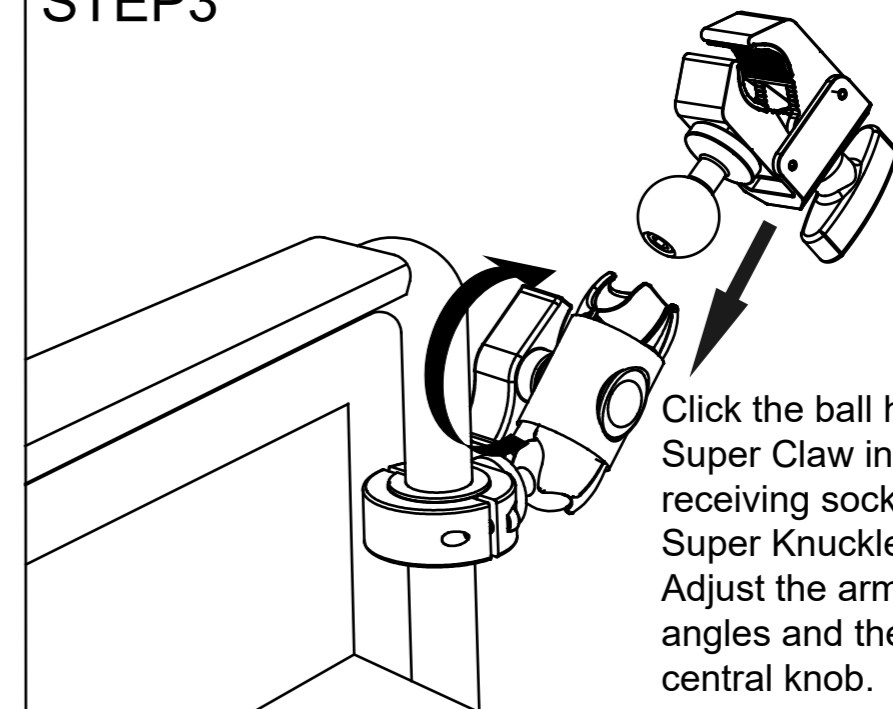
For mounting onto $\varnothing 19$ mm tubes, cut the provided rubber pad to correct size and wrap around the tube. Next, place the plastic spacer for $\varnothing 22$ mm tube on top of the rubber pad, then secure the tube clamp.

STEP2

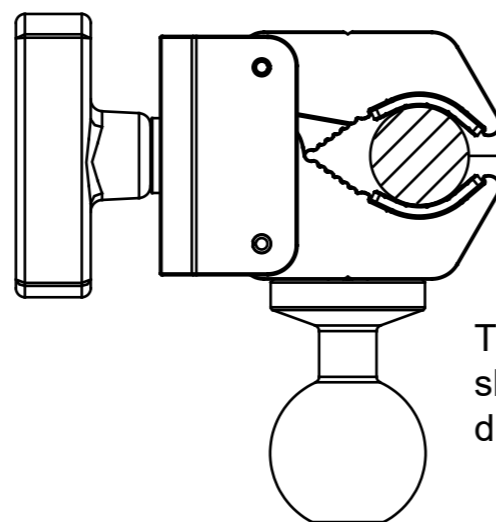
Loosen the central knob of the Super Knuckle and click the ball head on the tube clamp into its receiving socket.



STEP3

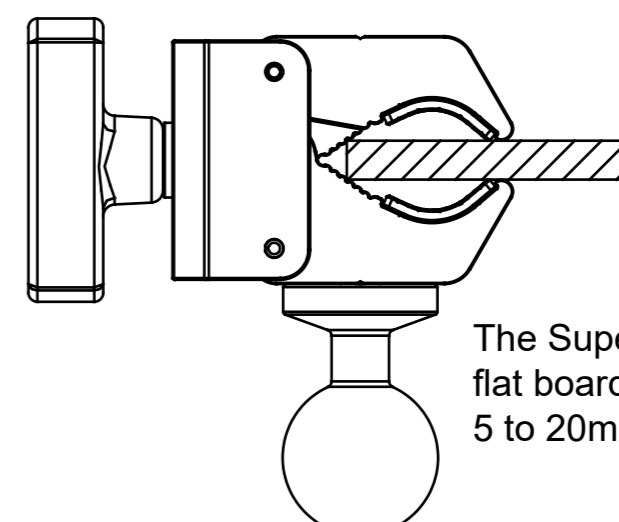


Click the ball head of the Super Claw into the other receiving socket of the Super Knuckle. Adjust the arm to the optimal angles and then tighten its central knob.



$\varnothing 13 \sim 35\text{mm}$

The Super Claw can hold tube shaped items with external diameters from 13 to 35mm.



5~20mm

The Super Claw can hold flat boards that are between 5 to 20mm.