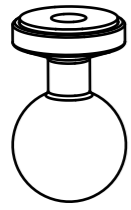
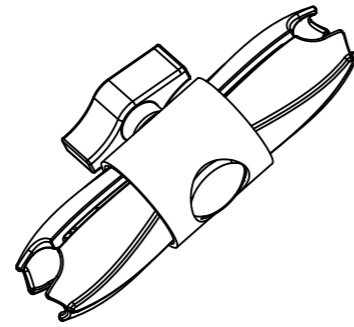


Check list

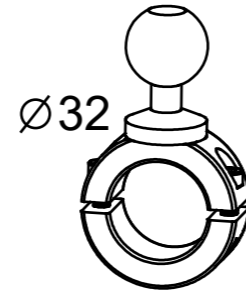
KM-208



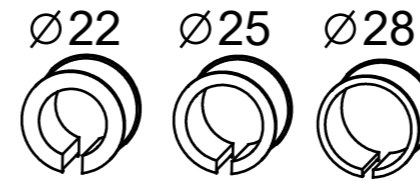
KS-403 Ball Head with 1/4"-20 Female Thread



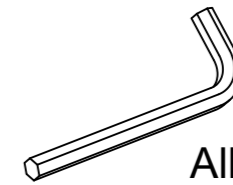
6" Super Knuckle



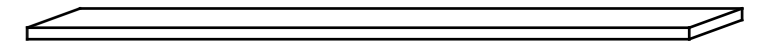
Tube Clamp



Plastic Spacers



Allen Wrench

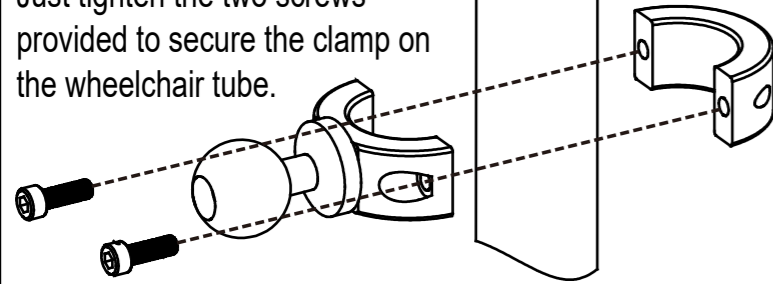


Rubber Pad

STEP1

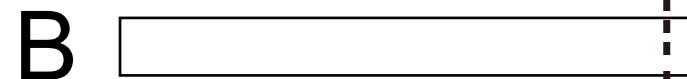
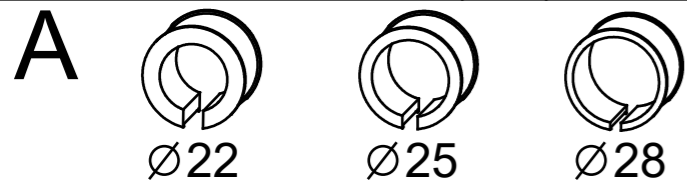
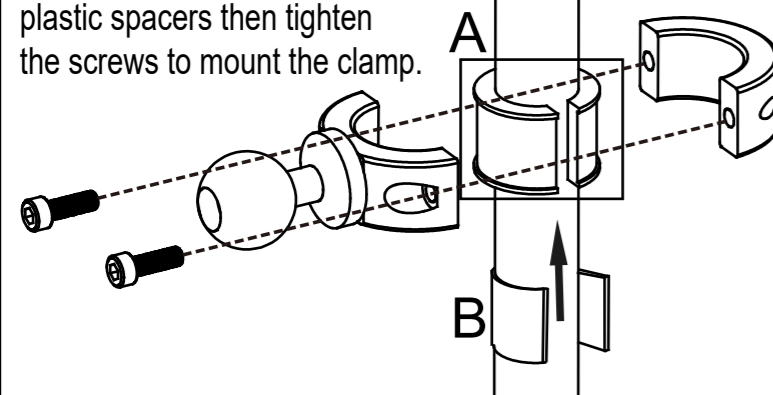
No extra plastic spacer is required for mounting onto $\varnothing 32$ mm tubes. Just tighten the two screws provided to secure the clamp on the wheelchair tube.

$\varnothing 32$



For $\varnothing 22$, $\varnothing 25$, and $\varnothing 28$ mm tubes, first attach the correct plastic spacers then tighten the screws to mount the clamp.

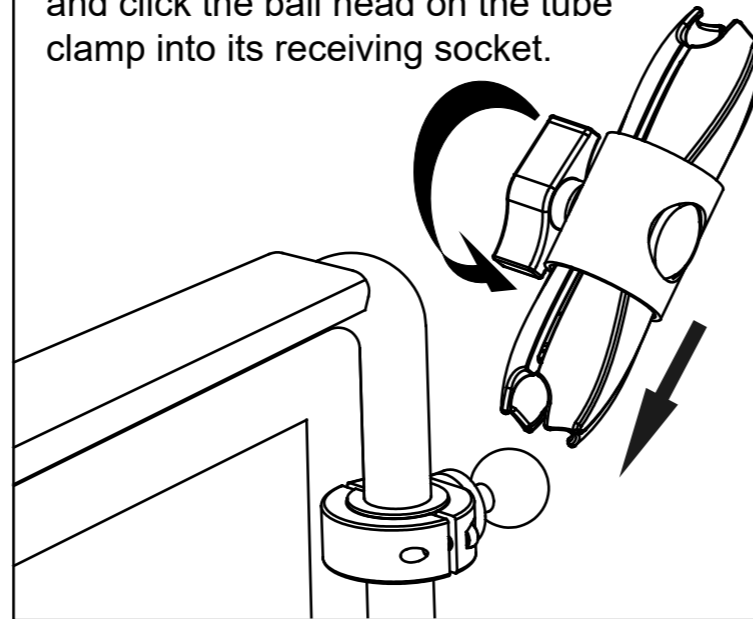
$\varnothing 22 \sim \varnothing 28$



For mounting onto $\varnothing 19$ mm tubes, cut the provided rubber pad to correct size and wrap around the tube. Next, place the plastic spacer for $\varnothing 22$ mm tube on top of the rubber pad, then secure the tube clamp.

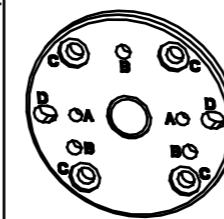
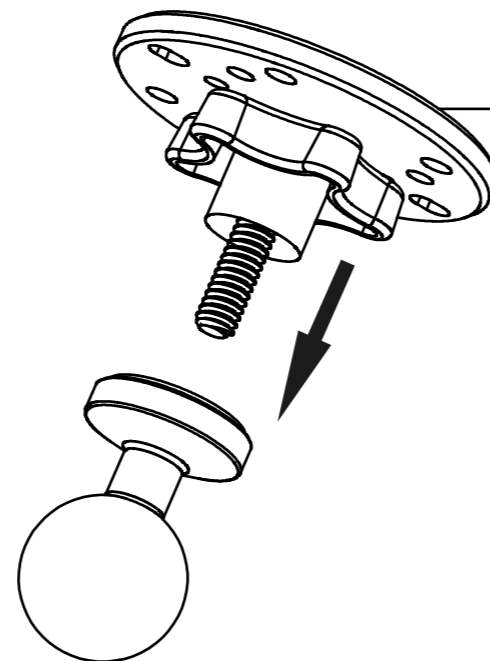
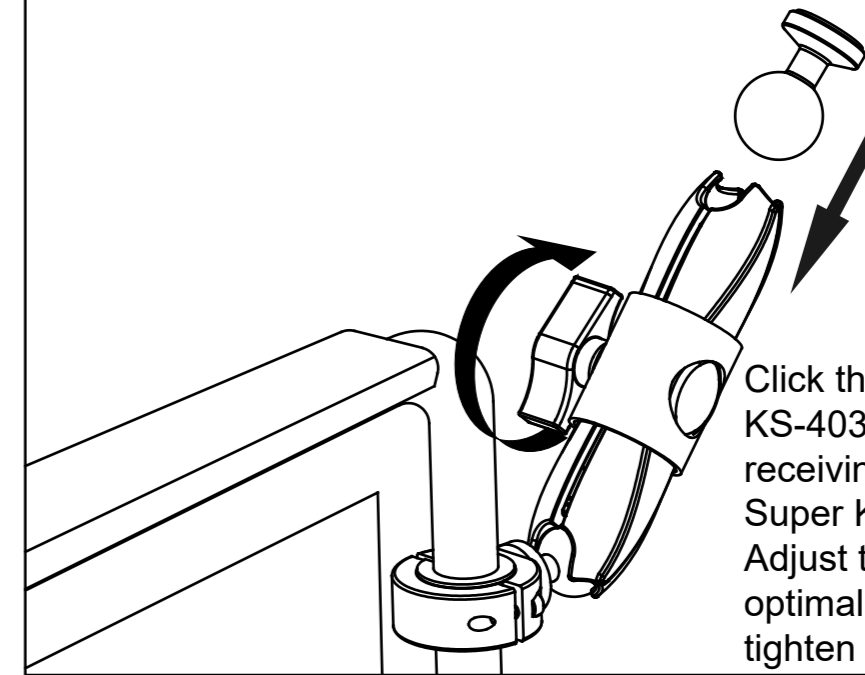
STEP2

Loosen the central knob of the Super Knuckle and click the ball head on the tube clamp into its receiving socket.

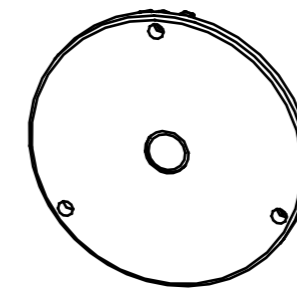


STEP3

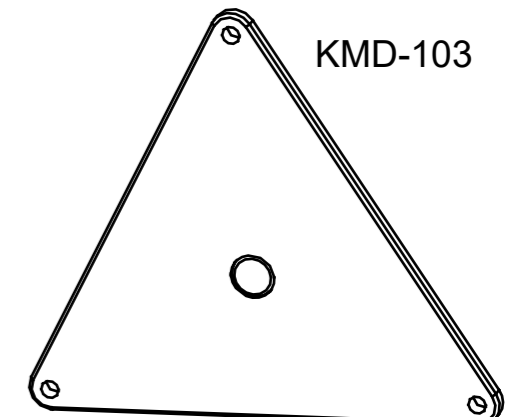
Click the ball head of KS-403 into the other receiving socket of the Super Knuckle. Adjust the arm to the optimal angles and then tighten its central knob.



KMD-101



KMD-102



KMD-103

The 1/4"-20 female thread on KS-403 is compatible with KUPOCARE switch mounting plates, AbleNet Quick Ready Mounting Plate, and any devices or adaptors with a 1/4"-20 male thread.