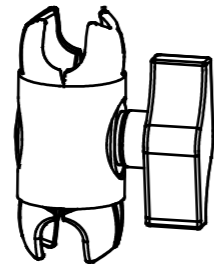


Check list

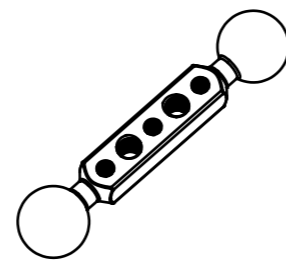
KM-211



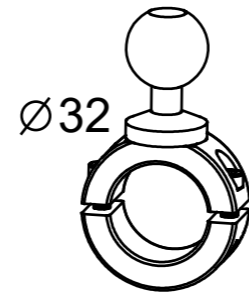
KS-404 Ball Head with 1/4"-20 Male Thread



3" Super Knuckle x 2



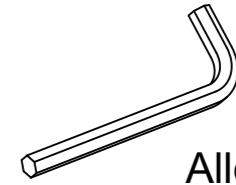
3" Extension Arm



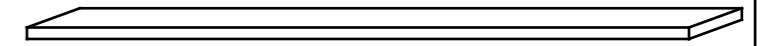
Tube Clamp



Plastic Spacers



Allen Wrench

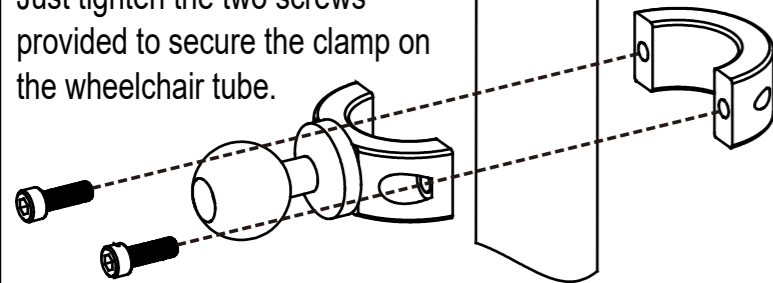


Rubber Pad

STEP1

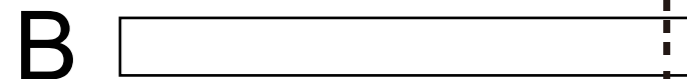
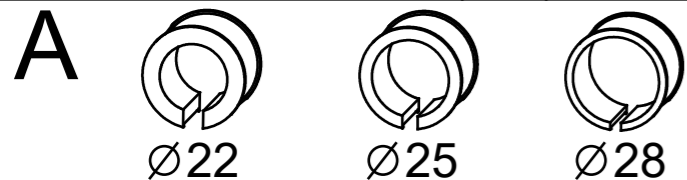
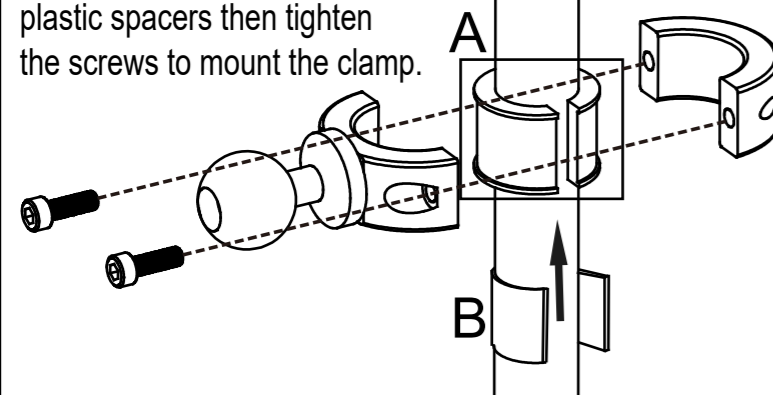
No extra plastic spacer is required for mounting onto $\text{Ø} 32$ mm tubes. Just tighten the two screws provided to secure the clamp on the wheelchair tube.

$\text{Ø} 32$



For $\text{Ø} 22$, $\text{Ø} 25$, and $\text{Ø} 28$ mm tubes, first attach the correct plastic spacers then tighten the screws to mount the clamp.

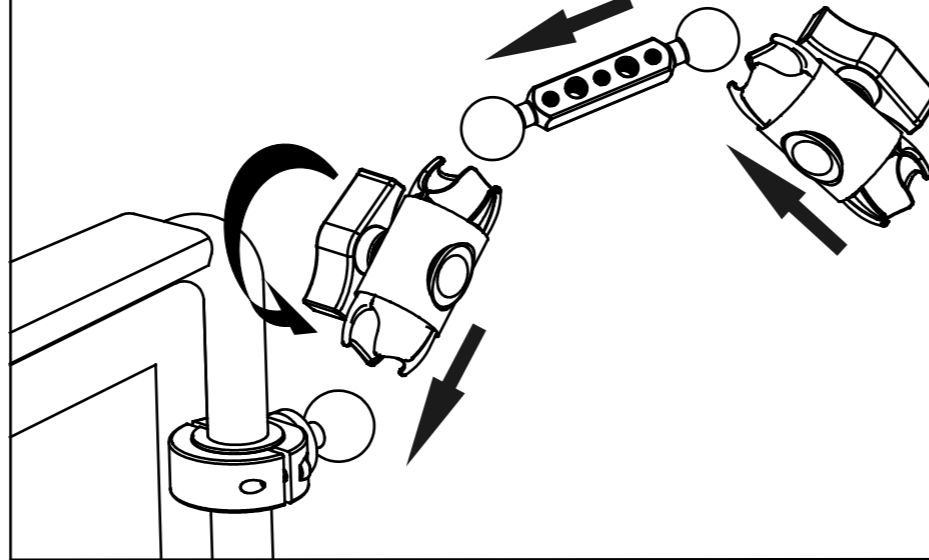
$\text{Ø} 22 \sim \text{Ø} 28$



For mounting onto $\text{Ø} 19$ mm tubes, cut the provided rubber pad to correct size and wrap around the tube. Next, place the plastic spacer for $\text{Ø} 22$ mm tube on top of the rubber pad, then secure the tube clamp.

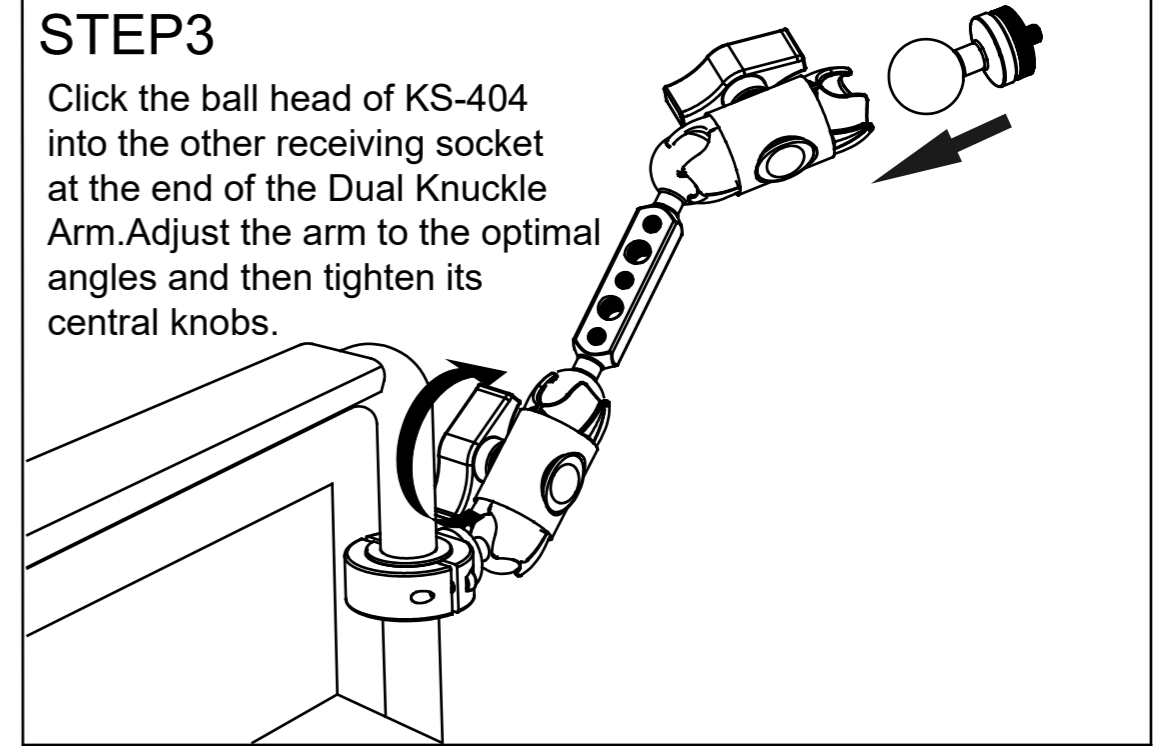
STEP2

Loosen the central knobs of the Super Knuckles and construct the Dual Knuckle Arm through ball head and socket connections as shown.



STEP3

Click the ball head of KS-404 into the other receiving socket at the end of the Dual Knuckle Arm. Adjust the arm to the optimal angles and then tighten its central knobs.



1/4"-20 Thread



The 1/4"-20 male thread on KS-404 is compatible with cameras, camcorders, Microsoft adaptive controllers, and any devices with a 1/4"-20 female thread.

