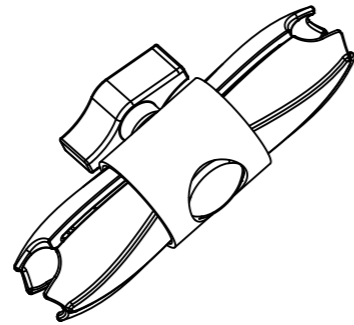


Check list

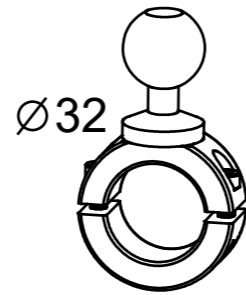
KM-207



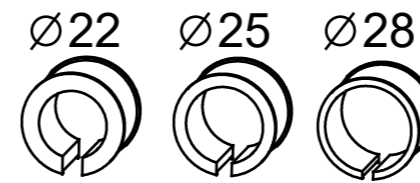
KS-404 Ball Head with 1/4"-20 Male Thread



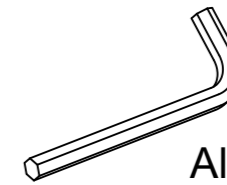
6" Super Knuckle



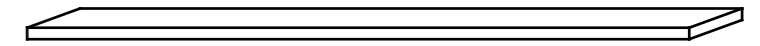
Tube Clamp



Plastic Spacers



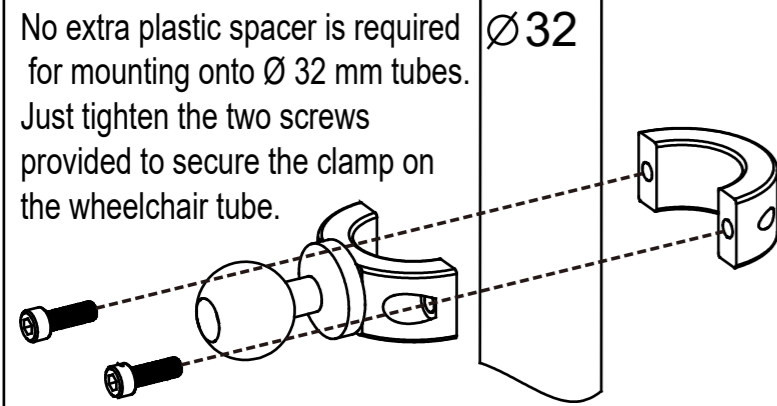
Allen Wrench



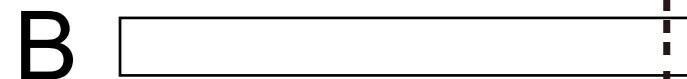
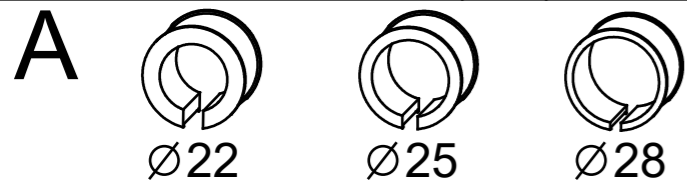
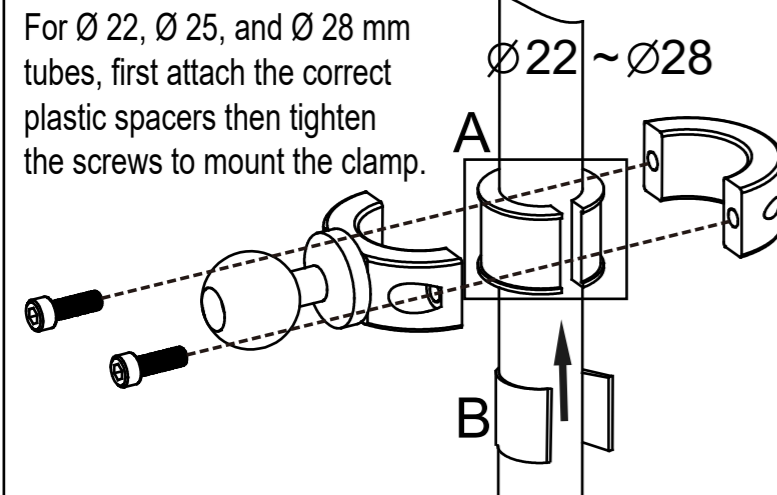
Rubber Pad

STEP1

No extra plastic spacer is required for mounting onto $\text{Ø} 32$ mm tubes. Just tighten the two screws provided to secure the clamp on the wheelchair tube.



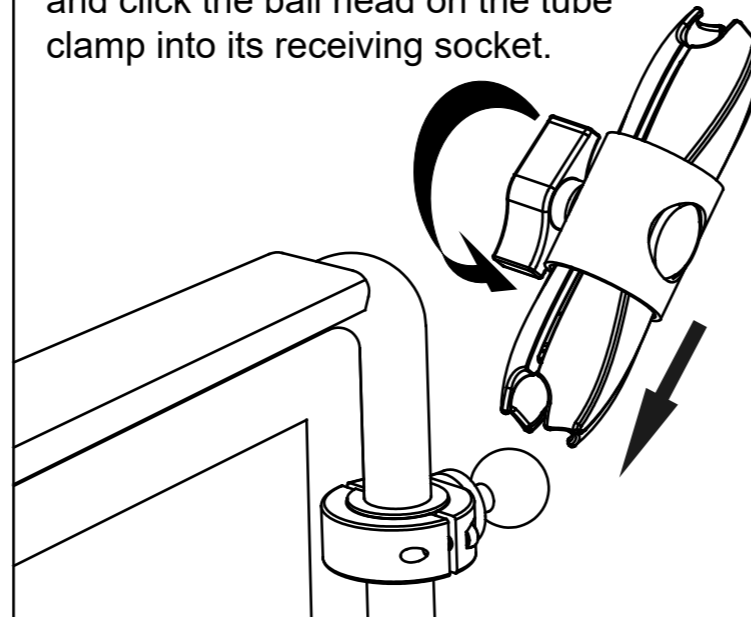
For $\text{Ø} 22$, $\text{Ø} 25$, and $\text{Ø} 28$ mm tubes, first attach the correct plastic spacers then tighten the screws to mount the clamp.



For mounting onto $\text{Ø} 19$ mm tubes, cut the provided rubber pad to correct size and wrap around the tube. Next, place the plastic spacer for $\text{Ø} 22$ mm tube on top of the rubber pad, then secure the tube clamp.

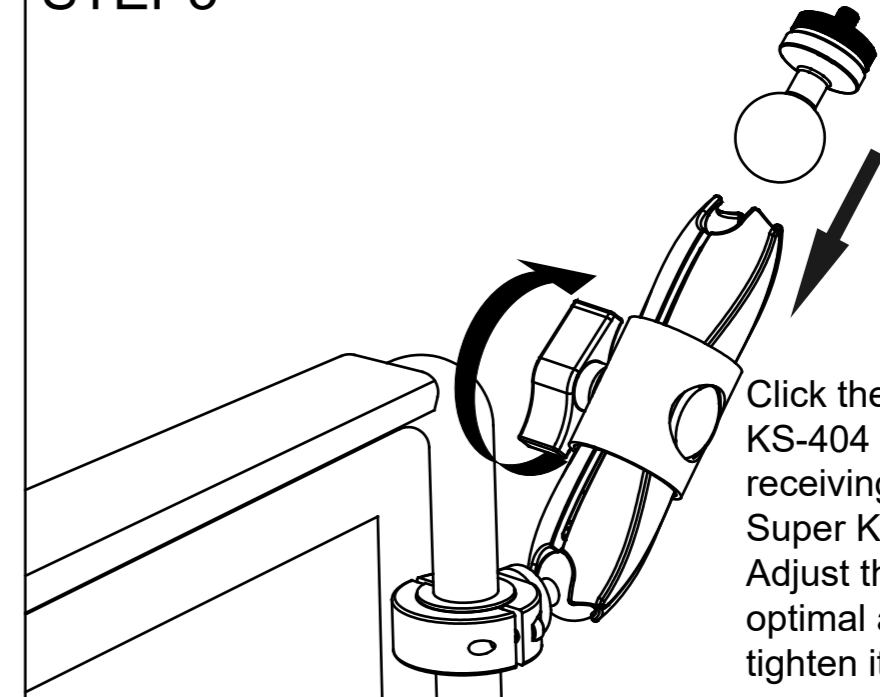
STEP2

Loosen the central knob of the Super Knuckle and click the ball head on the tube clamp into its receiving socket.



STEP3

Click the ball head of KS-404 into the other receiving socket of the Super Knuckle. Adjust the arm to the optimal angles and then tighten its central knob.



1/4"-20 Thread



The 1/4"-20 male thread on KS-404 is compatible with cameras, camcorders, Microsoft adaptive controllers, and any devices with a 1/4"-20 female thread.

