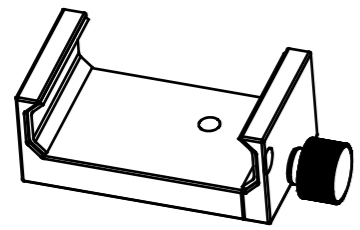


Check list

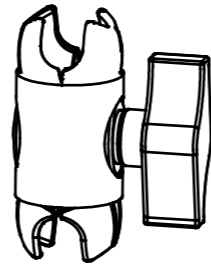
KM-202



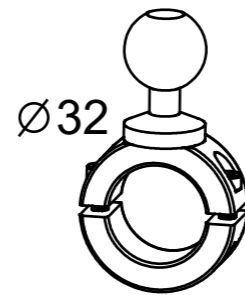
MH-003
Phone Holder



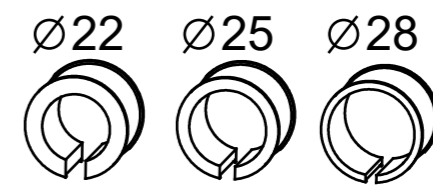
KS-404 Ball Head with
1/4"-20 Male Thread



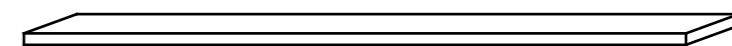
3" Super Knuckle



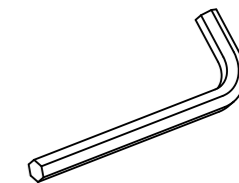
Tube Clamp



Plastic Spacers



Rubber Pad

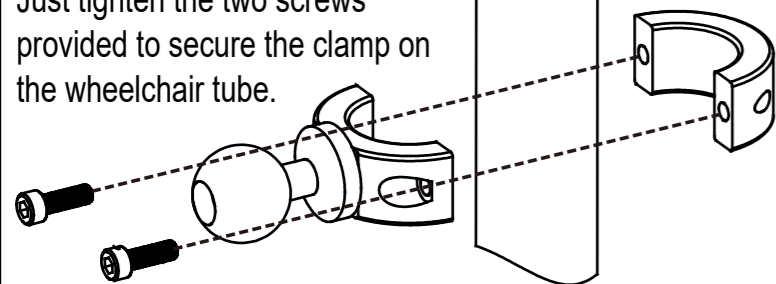


Allen Wrench

STEP1

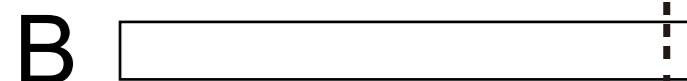
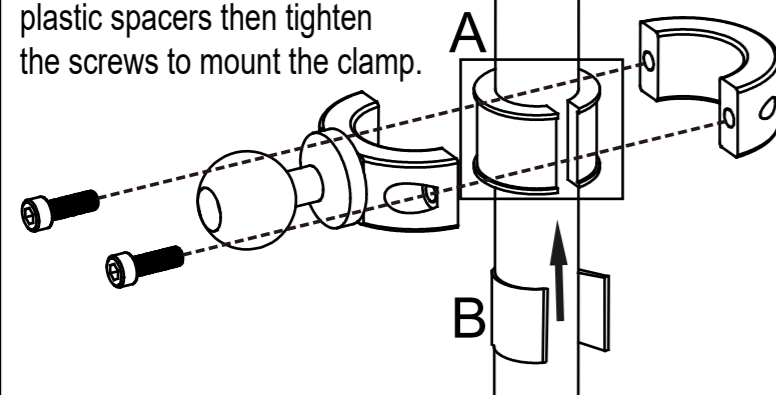
No extra plastic spacer is required for mounting onto $\varnothing 32$ mm tubes. Just tighten the two screws provided to secure the clamp on the wheelchair tube.

$\varnothing 32$



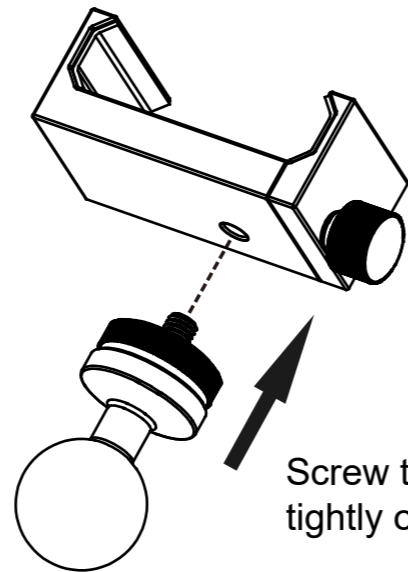
For $\varnothing 22$, $\varnothing 25$, and $\varnothing 28$ mm tubes, first attach the correct plastic spacers then tighten the screws to mount the clamp.

$\varnothing 22 \sim \varnothing 28$



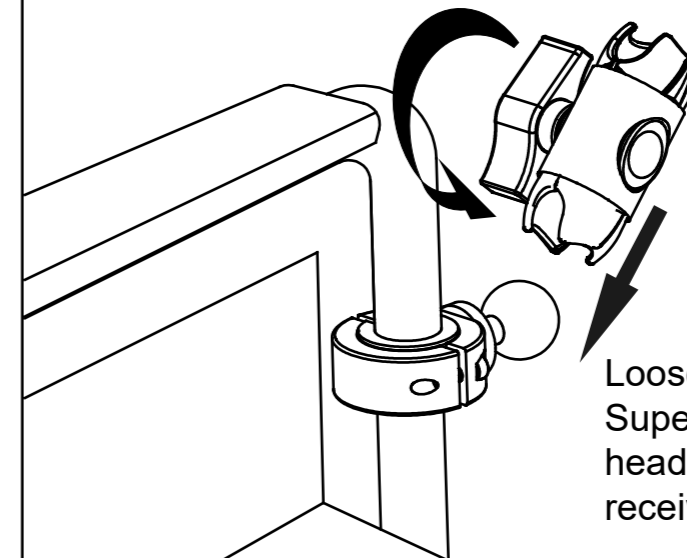
For mounting onto $\varnothing 19$ mm tubes, cut the provided rubber pad to correct size and wrap around the tube. Next, place the plastic spacer for $\varnothing 22$ mm tube on top of the rubber pad, then secure the tube clamp.

STEP2



Screw the ball head(KS-404) tightly onto the phone holder

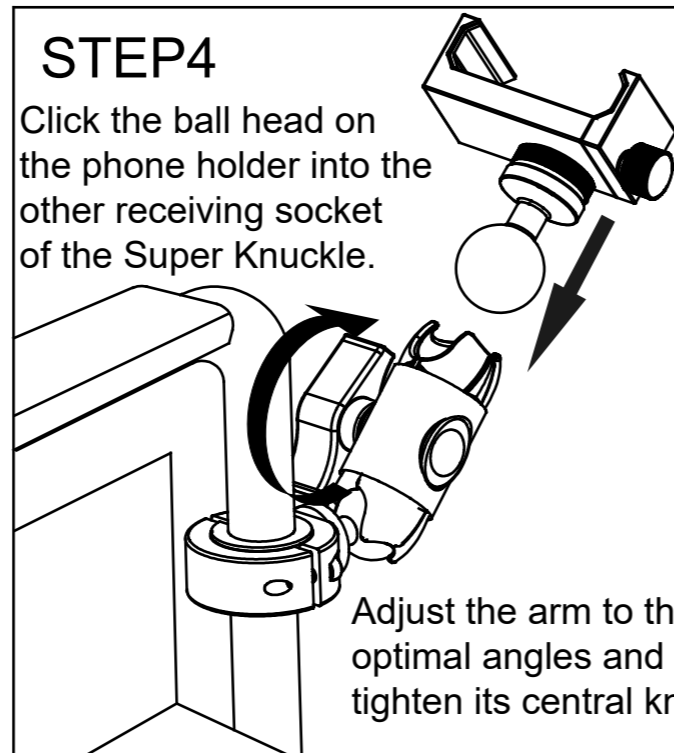
STEP3



Loosen the central knob of the Super Knuckle and click the ball head on the tube clamp into its receiving socket.

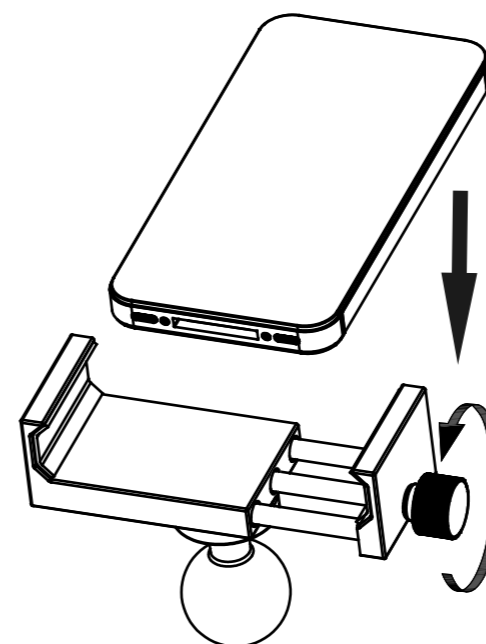
STEP4

Click the ball head on the phone holder into the other receiving socket of the Super Knuckle.



Adjust the arm to the optimal angles and then tighten its central knob.

STEP5



Place the phone in the phone holder and tighten the side knob

