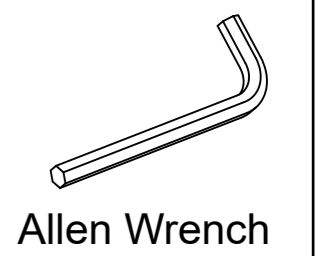
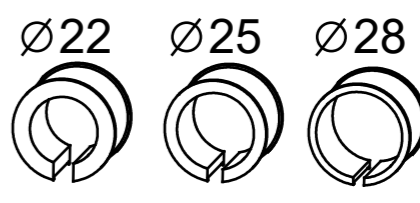
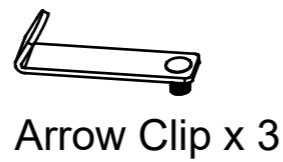
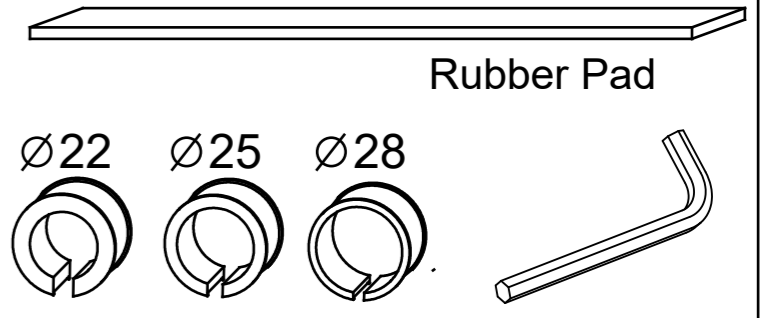
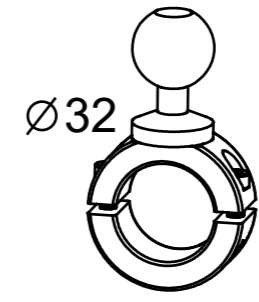
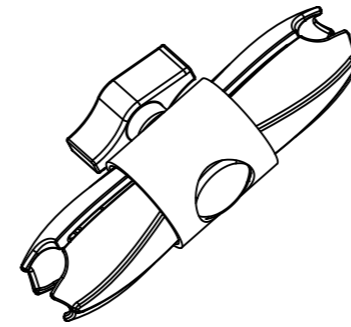
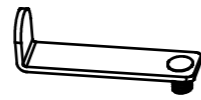
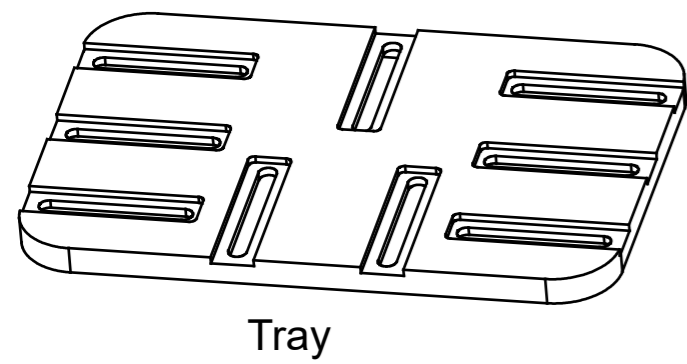


Check list

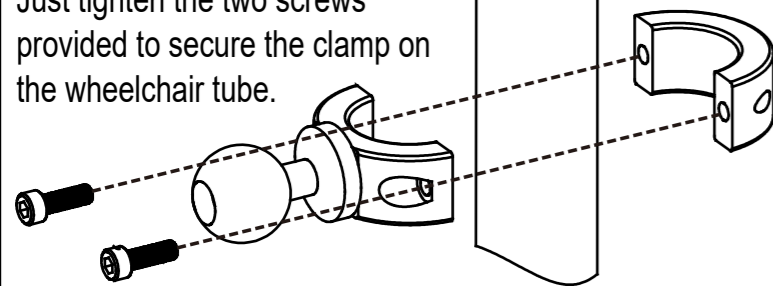
KM-205



STEP1

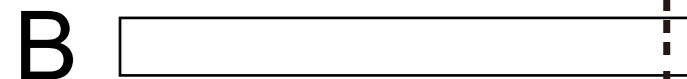
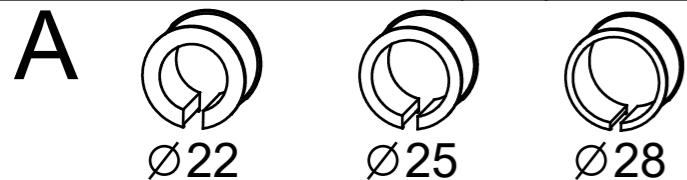
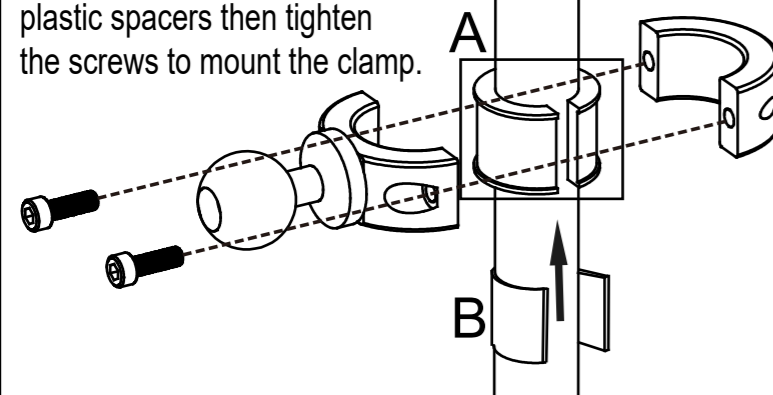
No extra plastic spacer is required for mounting onto Ø 32 mm tubes. Just tighten the two screws provided to secure the clamp on the wheelchair tube.

Ø 32



For Ø 22, Ø 25, and Ø 28 mm tubes, first attach the correct plastic spacers then tighten the screws to mount the clamp.

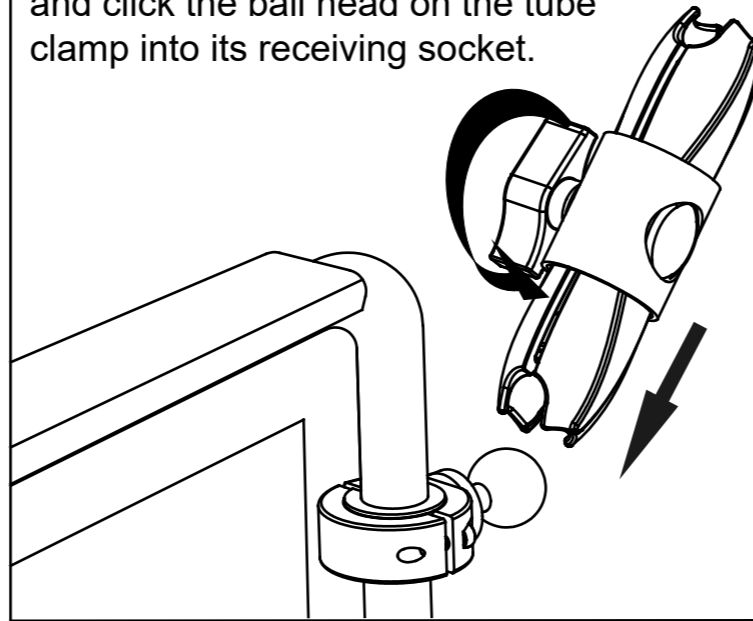
Ø 22 ~ Ø 28



For mounting onto Ø 19 mm tubes, cut the provided rubber pad to correct size and wrap around the tube. Next, place the plastic spacer for Ø 22 mm tube on top of the rubber pad, then secure the tube clamp.

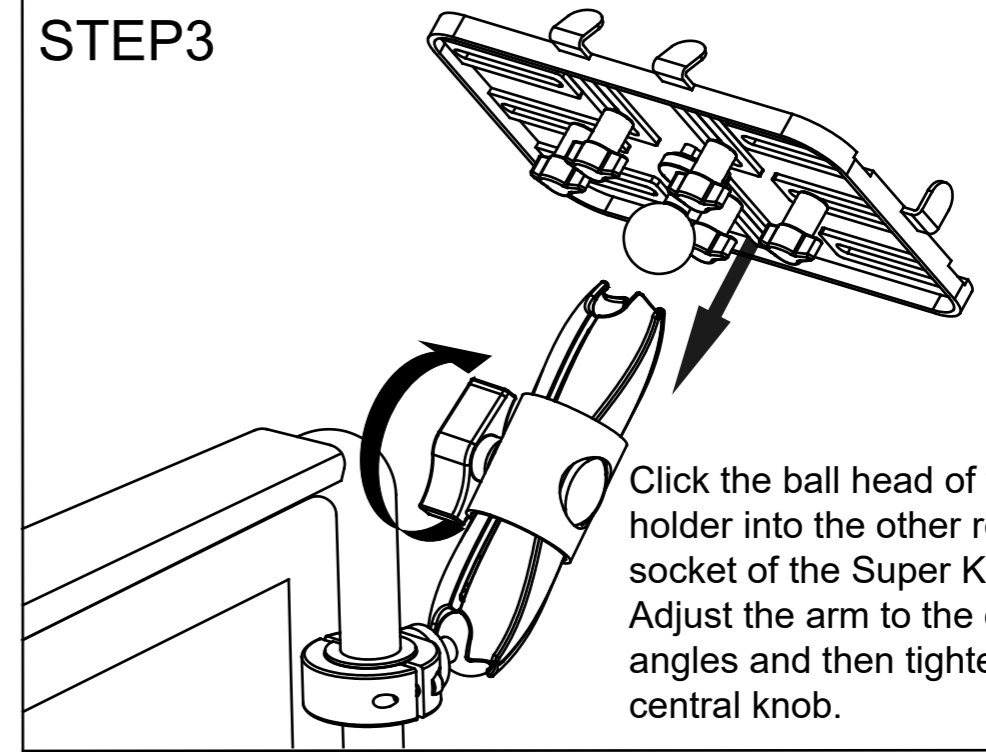
STEP2

Loosen the central knob of the Super Knuckle and click the ball head on the tube clamp into its receiving socket.

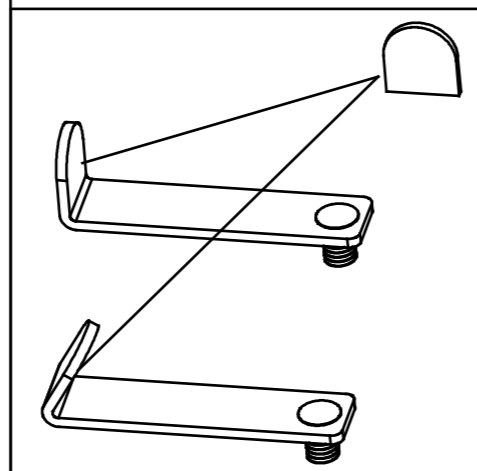


STEP3

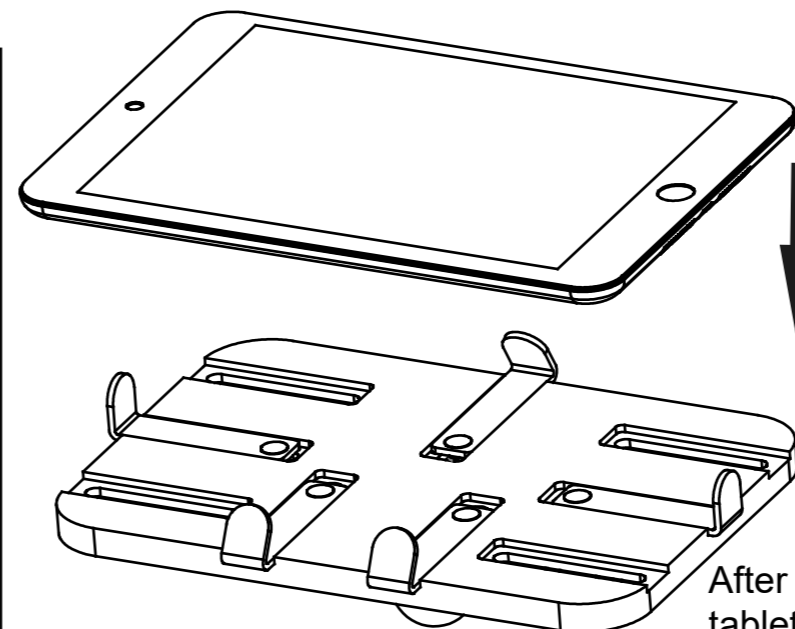
Click the ball head of the tablet holder into the other receiving socket of the Super Knuckle. Adjust the arm to the optimal angles and then tighten its central knob.



STEP4



Attach the protection pads to the L clips and the arrow clips before screwing them onto the tray with the provided knobs.



After loosening the knobs of the tablet holder, place the tablet into the holder, and adjust the position of the clips to ensure tight fit before tightening the knobs again.

